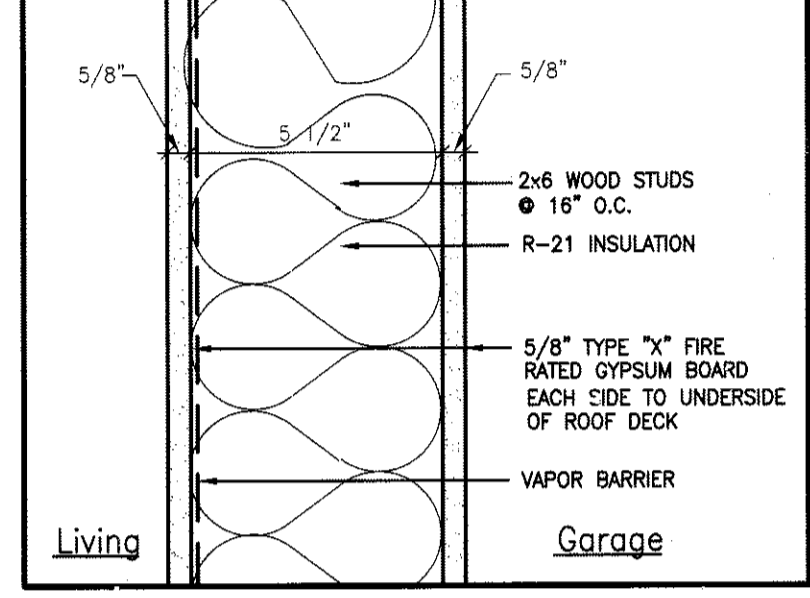
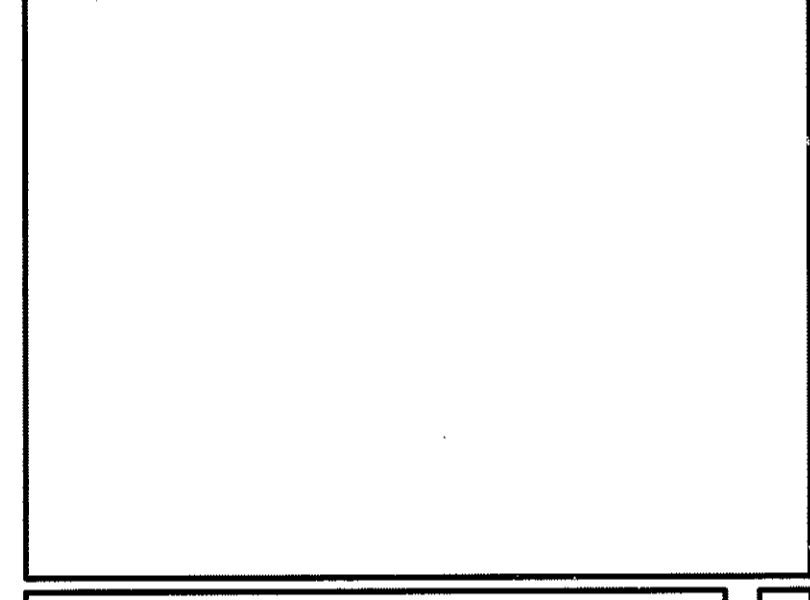


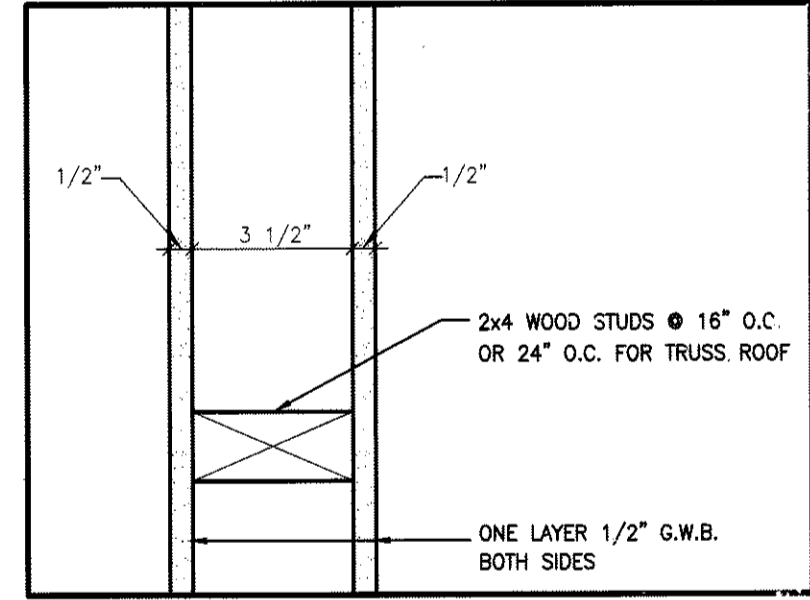
INTERIOR WALL SCALE: 3/8"=1'-0" 5
 INTERIOR WALL w/ 6" INSULATION SCALE: 3/8"=1'-0" 5A



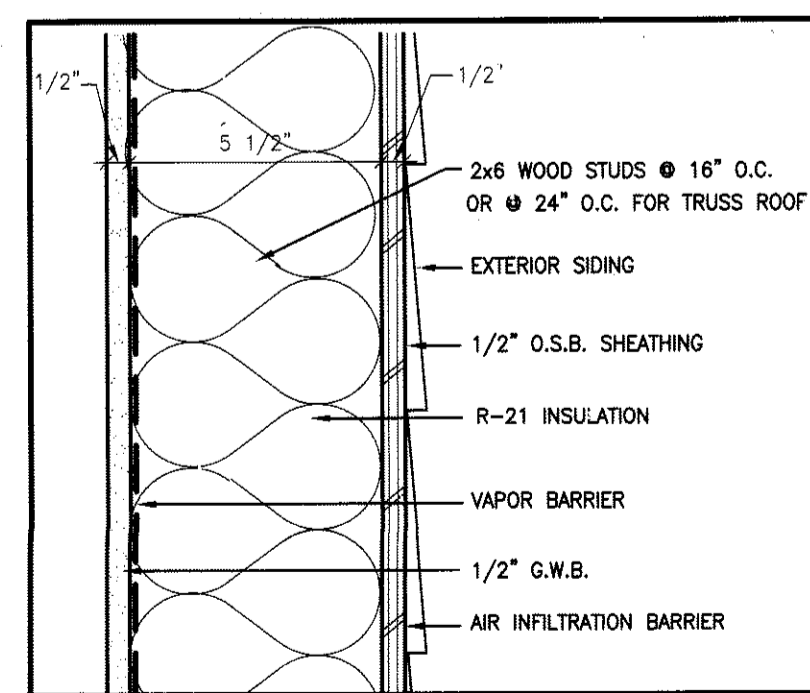
1 HOUR RATED FIRE WALL SCALE: 3/8"=1'-0" 4



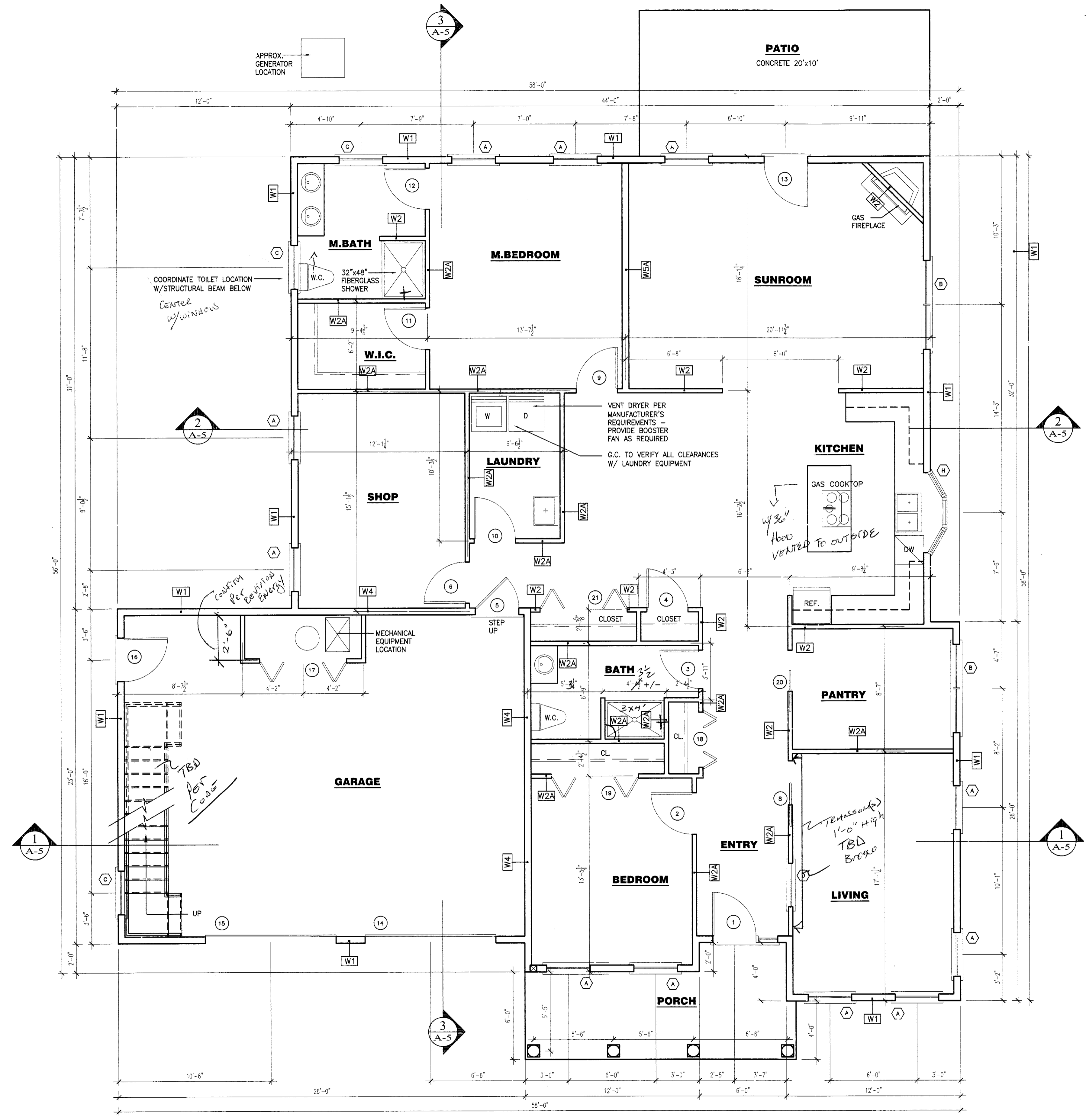
NOT USED 3



INTERIOR WALL SCALE: 3/8"=1'-0" 2
 W/4" INSULATION SCALE: 3/8"=1'-0" 2A



TYPICAL EXTERIOR WALL SCALE: 3/8"=1'-0" 1



- NOTES:
 1. GENERAL CONTRACTOR TO COORDINATE ALL UTILITIES.
 2. AT THE CRAWL SPACE PROVIDE 1/2" LUAN AT ALL CERAMIC TILE & SHEET VINYL AREAS OVER FLOOR JOISTS AND SUBFLOOR.
 3. DO NOT VENT BATHROOMS AND LAUNDRY EQUIPMENT THROUGH EAVES.

FLOOR PLAN (UNIT E)
 2,131 S.F. SCALE: 1/4" = 1'-0"

Gawron Turgeon ARCHITECTS
 29 Black Point Road
 Scarborough, Maine 04074
 www.gawronturjeon.com
 207-883-6307 tel 207-883-0361 fax

HIGHLAND GREEN
 P.O. Box 529
 Torrington, VT 05861
 TEL: 802-255-1519

#	DATE	DESCRIPTION
1	10-8-13	OWNER PLAN REVIEW
2	10-10-13	OWNER PLAN REVIEW
3	12-10-13	CONSTRUCTION DOCUMENTS

DATE:	12.10.13
PROJECT #:	070703.146
DRAWN BY:	AEP
CHECKED BY:	RLD
DRAWING SCALE:	AS NOTED

SHEET TITLE
 FLOOR PLANS

AI
 LOT 167 MILLER

© COPYRIGHT 1985-2013
 REPRODUCTION OR USE OF THIS DOCUMENT WITHOUT WRITTEN PERMISSION OF GAWRON TURGEON ARCHITECTS IS PROHIBITED.