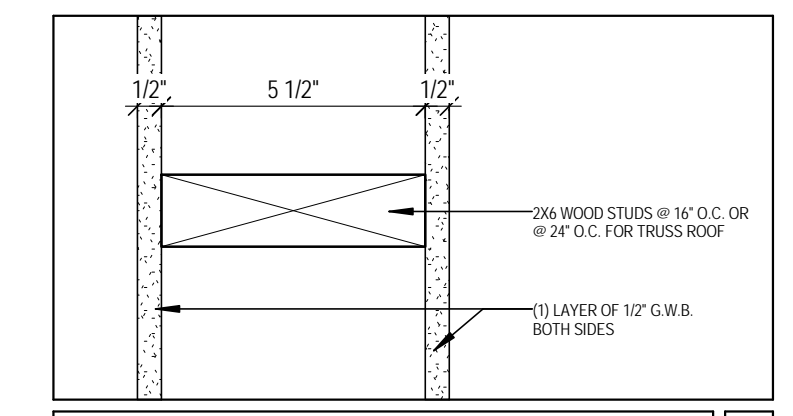
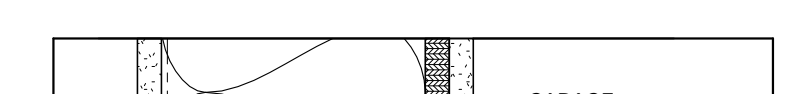


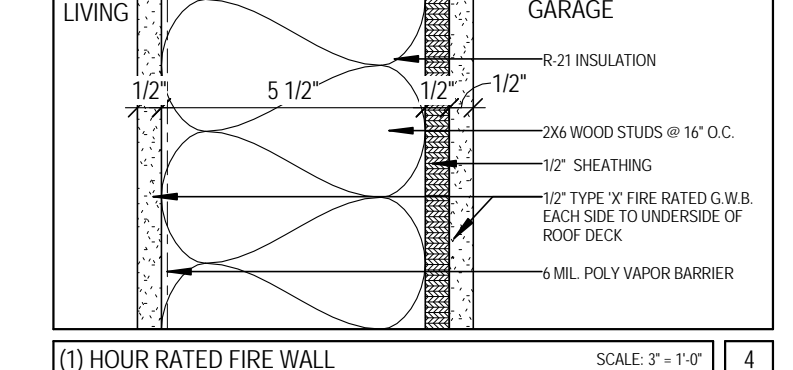
NOTES:  
 1. GENERAL CONTRACTOR TO COORDINATE ALL UTILITIES.  
 2. AT THE CRAWL SPACE PROVIDE 1/4" LUAN AT ALL CERAMIC TILE & SHEET VINYL AREAS OVER FLOOR JOISTS AND SUBFLOOR.  
 3. DO NOT VENT BATHROOMS AND LAUNDRY EQUIPMENT THROUGH EAVES.



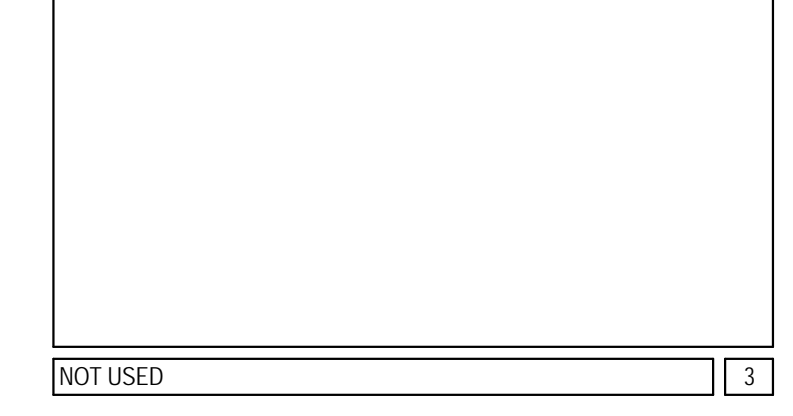
INTERIOR WALL SCALE: 3/8" = 1'-0" 5



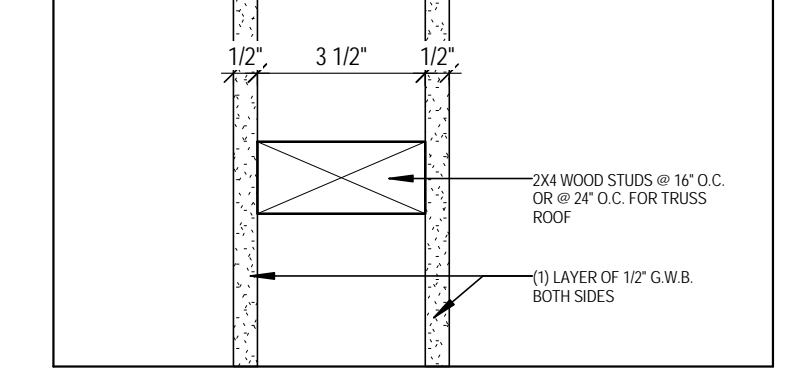
INTERIOR WALL W/ 6" INSULATION SCALE: 3/8" = 1'-0" 5A



(1) HOUR RATED FIRE WALL SCALE: 3/8" = 1'-0" 4

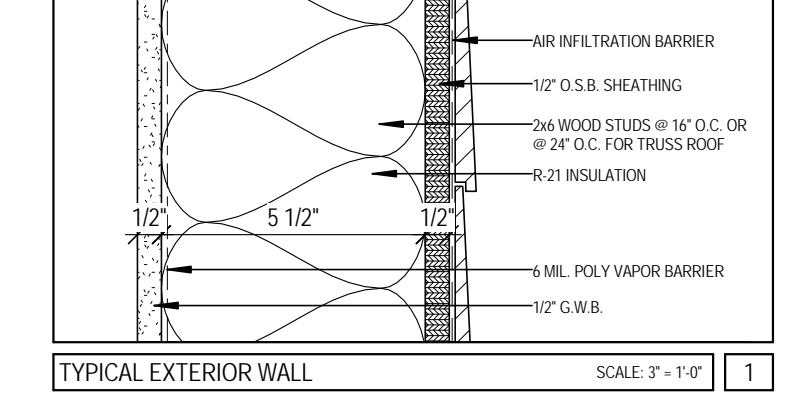


NOT USED 3



INTERIOR WALL SCALE: 3/8" = 1'-0" 2

INTERIOR WALL W/ 4" INSULATION SCALE: 3/8" = 1'-0" 2A



TYPICAL EXTERIOR WALL SCALE: 3/8" = 1'-0" 1



REVISIONS	
#	DATE DESCRIPTION
1	12.22.14 PLAN REVIEW
2	02.06.15 REVIEW SET
3	02.12.15 REVIEW SET
4	05.12.15 CONSTRUCTION SET
5	06.26.15 CONSTRUCTION SET

DATE:	06.26.15
PROJECT #	070703.162
DRAWN BY:	ABP
CHECKED BY:	RLD
DRAWING SCALE	As indicated

**SHEET TITLE**  
 FIRST FLOOR PLAN

**AI**  
 LOT # 186 JOHNSON

© COPYRIGHT 1985-2009  
 REPRODUCTION OR RESALE OF  
 THIS DOCUMENT WITHOUT  
 WRITTEN PERMISSION OF  
 GAWRON ARCHITECTS IS PROHIBITED

6/26/2015 4:49:25 PM ABP

**A1 FIRST FLOOR PLAN**

1/4" = 1'-0"

**A16 WALL TYPES**

3/8" = 1'-0"